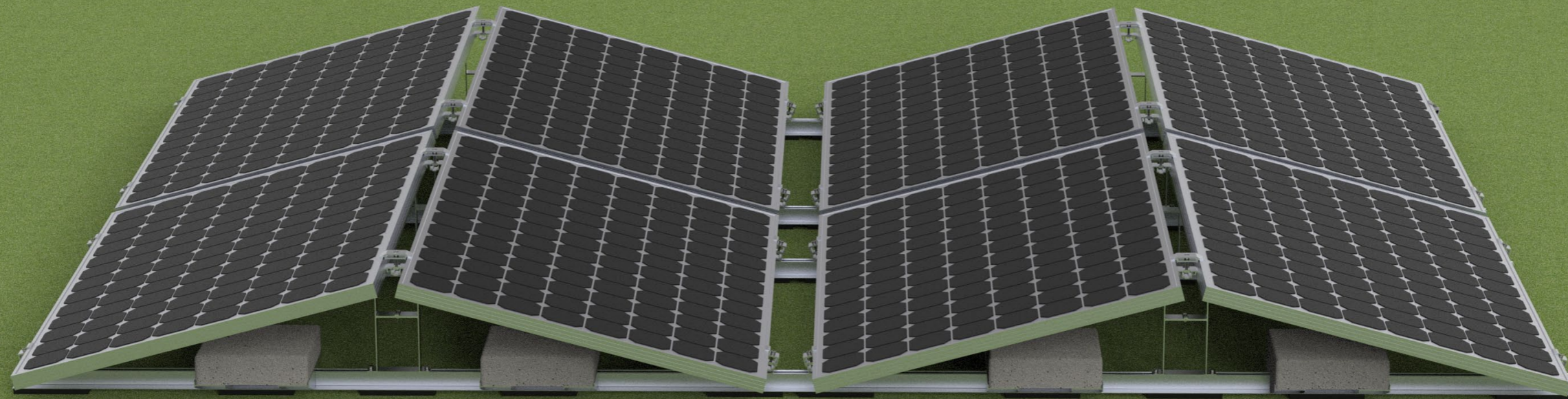


# Ballasted-Ult East West Integrated Rear Leg





# Ballasted Mounting System

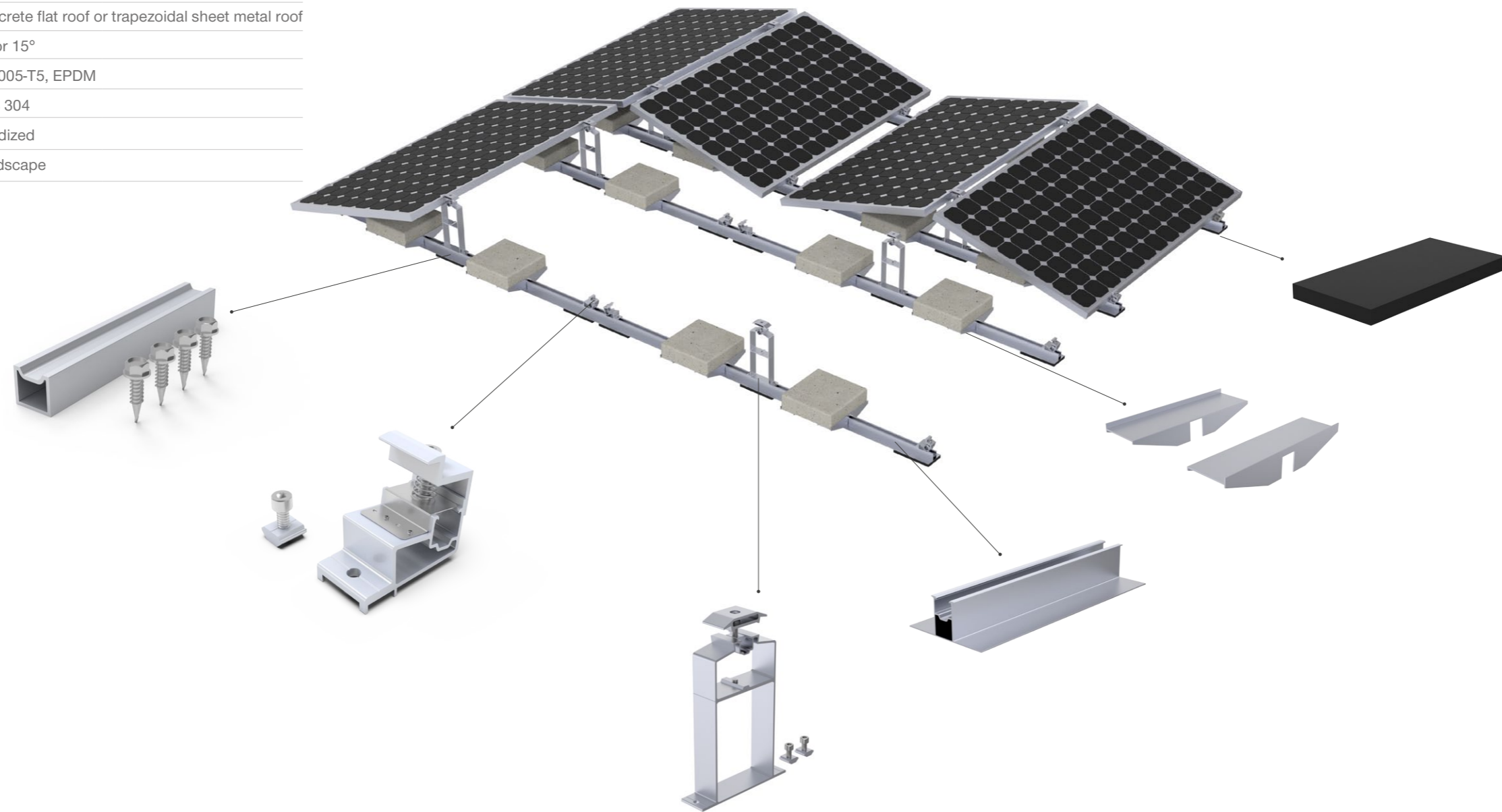
Ballasted-Ult East-West integrated rear leg is suitable for the Ballasted-Ult Systems East-West layout installation, it has the same advantages as Ballasted-Ult Systems, can be installed in any position on the long side of the solar panels. Maximize to realize the strength of solar panels against the wind load and snow load.

East-West integrated rear leg support simplify the number of installation, making it more easy and convenient, more efficient and faster, can effectively reduce the cost of whole project.

Innovative rear leg inner clamp is more convenient for installation and make the whole systems more integrated, there are two choice 10 degree and 15 degree for your choose, compatible with ERK-BUF-10 and ERK-BUF-15.

## Technical features:

Product name	Ballasted-Ult East-West integrated rear leg
Application	Concrete flat roof or trapezoidal sheet metal roof
Tilt	10° or 15°
System material	AL6005-T5, EPDM
Fastener material	SUS 304
Finish	Anodized
Module orientation	Landscape



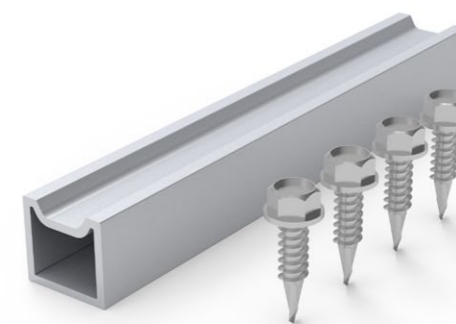
# Component List



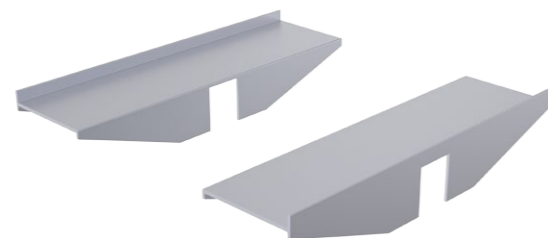
ERK-BUR-10 ERK-BUR-15



ERK-BIR-10 ERK-BIR-15



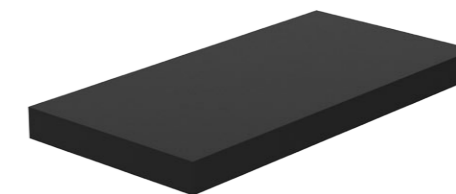
ERK-SFR-04



ERK-BST-02

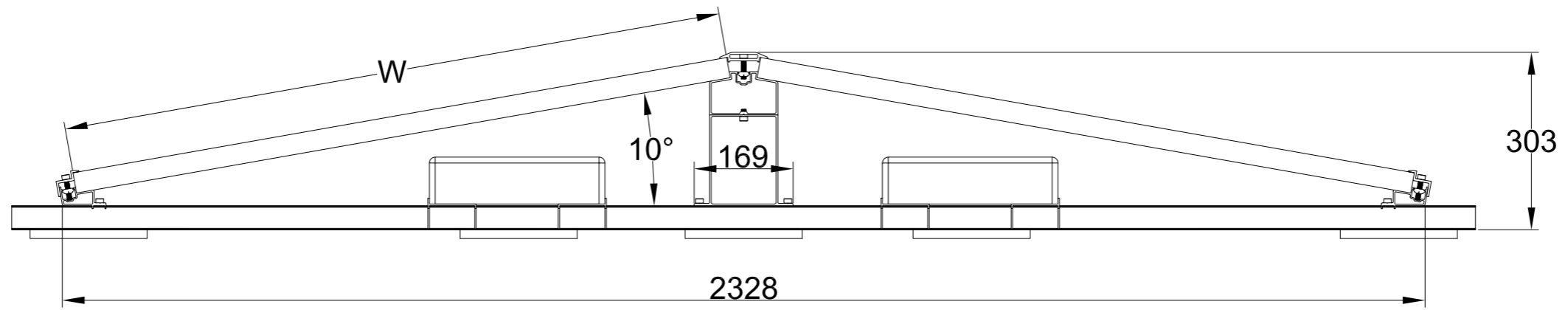


ERK-R41-02

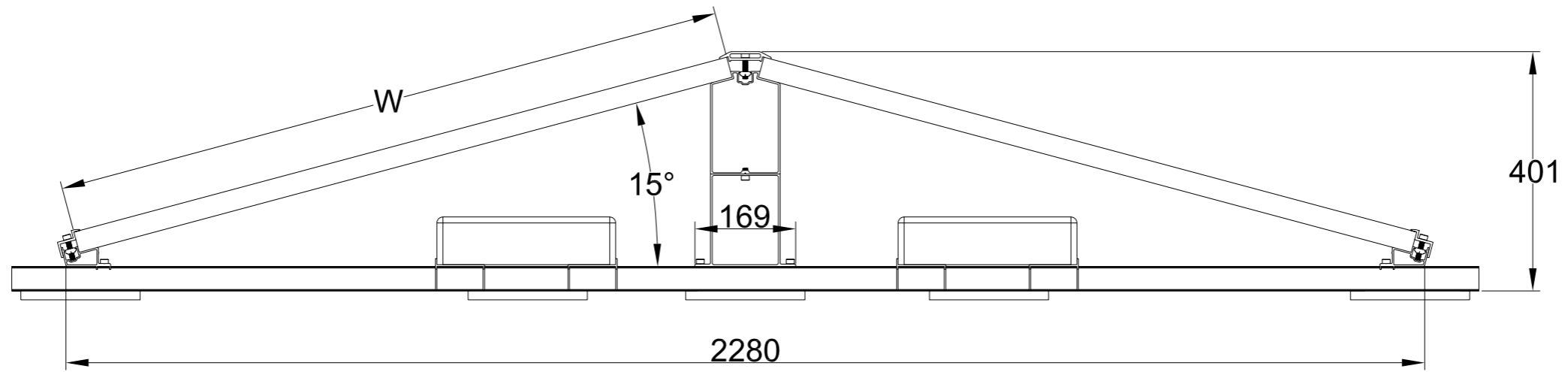


ERK-EFT-03

# Dimensions and Angles



Angles 10°



Angles 15°

---

# Contact Details

---

Xiamen Enerack Technology Co., Ltd.

Tel: +86 -592-5669285

Mail: [info@enerack.com](mailto:info@enerack.com)

Fax: +865-92-5669235

web: [www.enerack.com](http://www.enerack.com)

Add: 203A, NO.6 Huli Avenue, Huli District, Xiamen, China

